

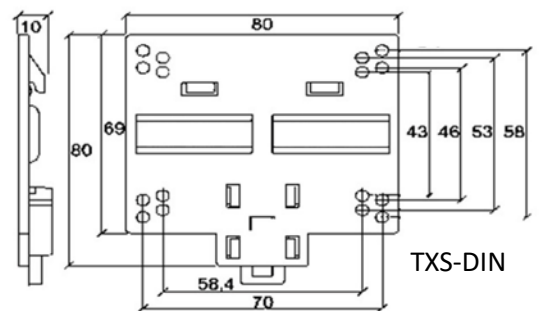
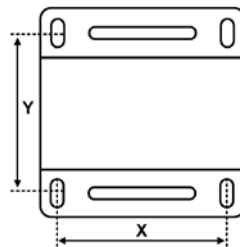
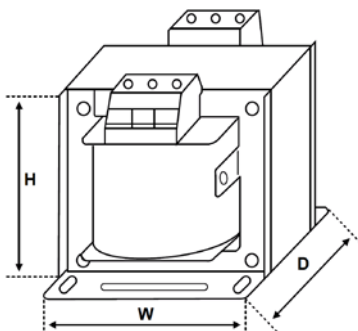


TXS Series Control Panel Transformers



- Primary multi tap input voltage:
0-230(240) - 400 - 415 - 440VAC
- Multi tap secondary:
0 - 12 - 24VAC (12 - 0 - 12 VAC)
- 50VA up to 1000VA
- 50/60Hz Class F, Continuously Rated
- CE & UKCA Approved
- Manufactured in accordance to EN61558-2-6, UL 1446
- Earth Clamp terminal
- Double wound isolating
- Primary winding earth screen
- Non welded construction for cool operation
- IP20 Terminals
- Insulation between windings: 4kV

Part No	VA	Height (mm)	Width (mm)	Depth (mm)	X (mm)	Y (mm)	Weight Kg
TXS-0050-12/24	50 VA	77	77	80	53	42	1.2
TXS-0100-12/24	100 VA	77	86	80	70	37	1.6
TXS-0160-12/24	160 VA	84	86	89	70	47	2.1
TXS-0200-12/24	200 VA	92	99	98	80	48	2.5
TXS-0250-12/24	250 VA	92	99	108	80	105	3.1
TXS-0320-12/24	320 VA	112	122	98	99	59	4.0
TXS-0400-12/24	400 VA	112	122	98	99	64	4.5
TXS-0500-12/24	500 VA	112	122	108	99	74	5.4
TXS-0630-12/24	630 VA	155	152	120	125	77	7.7
TXS-0800-12/24	800 VA	155	152	158	125	116	9.1
TXS-1000-12/24	1000 VA	155	152	138	125	118	11.1
TXS-DIN	DIN Rail mounting clip for 50, 100 & 160VA transformers						



Double winding isolation transformers, equipped with a primary earth screen, for control panel applications.

A DIN bracket (optional) allows DIN rail mounting for 50VA, 100VA and 160VA transformers.

It is important to note that when sizing a transformer that the lower secondary voltage tap will be half the specified VA rating. [For example, a 100VA / 24VAC transformer will give 50VA at 12VAC]

E & O.E.

