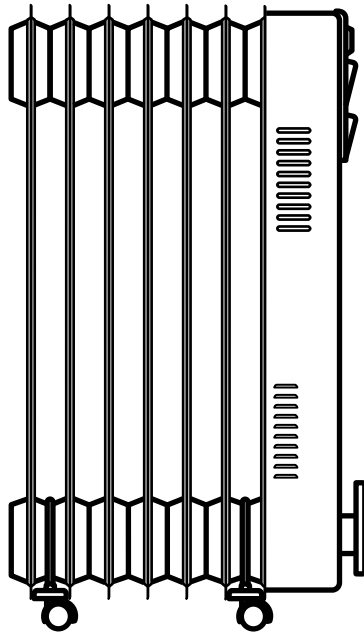




Product Instruction Manual



RAD15Y & RAD20TY

Riviera Oil filled radiator

This product is only suitable for well insulated spaces or occasional use

Thank you for purchasing from the Hyco Riviera range of oil filled radiators. Available in 1.5kW standard and 2.0kW timer models, the Riviera offers a silent, gentle heating solution for light commercial and domestic use. Please read and understand these instructions before commencing installation, and leave them with the user when installation is complete.

1. Important safety points

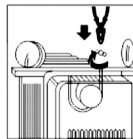
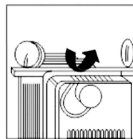
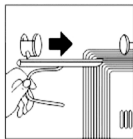
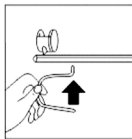
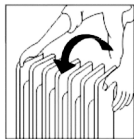
- Do not carry the appliance by the supply cord.
- Do not let the supply cord hang over the appliance.
- The supply cord cannot be replaced by the user. If the cord is damaged the appliance should be returned to the manufacturer or an authorised service agent for replacement.
- Do not cover the appliance as it may cause overheating.
- Children of less than 3 years should be kept away unless continuously supervised.
- Children aged from 3 years and less than 8 years shall only switch on/off the appliance provided that it has been placed or installed in its intended normal operating position and they have been given supervision or instruction concerning use of the appliance in safe way and understand the hazards involved. Children aged from 3 years and less than 8 years shall not plug in, regulate and clean the appliance or perform user maintenance.
- This unit should be installed at least 1.5m from baths, showers, laundries, swimming pools etc.
- Some parts of this product can become very hot and cause burns. Particular attention should be paid where children and vulnerable people are present.
- This heater is filled with a precise quantity of special oil. Repairs requiring opening of the oil container are only to be made by the manufacturer or their service agent.
- Always ensure the castors are mounted to the bottom of the heater.
DO NOT TURN ON THE HEATER IF IT IS UPSIDE DOWN
- Always switch off the appliance when not in use.

2. Installation



Always ensure the castors are mounted to the bottom of the heater.
DO NOT TURN ON THE HEATER IF IT IS UPSIDE DOWN

- Remove all the packaging.
- Turn the heater upside down.
- Position the wheel mounting plates between the end two fins at both ends of the heater, attach them using the U-bolt and wing nuts provided.
- Attach the castors to the plates using the nuts provided.
- Ensure all nuts are tightened and then return the heater to the correct way up.
- Allow the oil to return to the bottom of the unit before turning on, around two minutes should be sufficient.



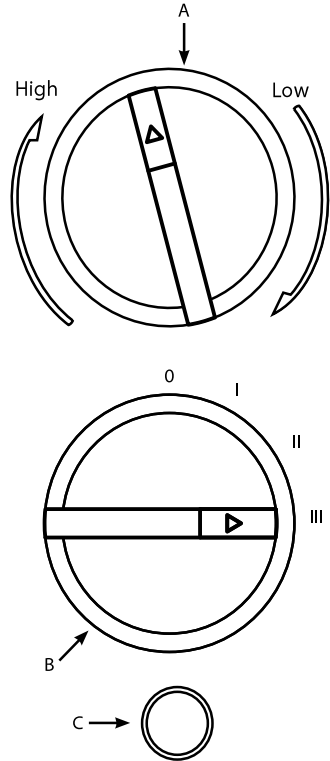
3. Operation



It is normal for there to be some smells and fumes on the first operation or after a long period of not being used, this will disappear within a short period of use.

Basic operation

1. Choose a suitable location for the heater, ensure all the points in the safety section of these instructions have been followed.
2. Insert the plug into a suitable socket.
3. Turn the thermostat knob (A) clockwise to its maximum setting.
4. Select a power setting from the four available ON settings (B).
0 = OFF
I = Low (600/800W)
II = Medium (900/1200W)
III = High (1500/2000W)
5. Once the room temperature has reached the desired temperature adjust the thermostat setting down (anti-clockwise) until a click is heard and the element indicator light (C) goes out. This will now maintain your current room temperature.
6. To turn the heater off simply return the power selection knob to the 0 (OFF) position.



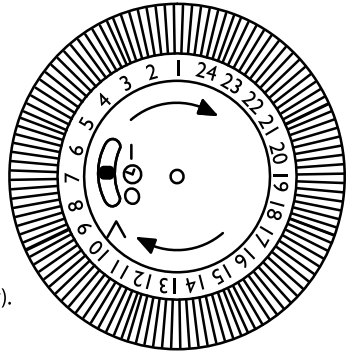
Timer operation (RAD20TY)

1. To use the 24hr timer you should select the operating mode by sliding the switch in the centre of the timer disk as follows:

I = On at all times

☺ = Timed operation

0 = Off at all times



(In all modes the times will continue to keep time whilst connected to the mains power supply).

2. To create your own schedule you should move the slider to the ☺ position.
3. To set the time on the timer simply turn the outer timer disc until the arrow on the centre timer disc points to the current time (24hr format).
4. The timer has a total of 24hrs marked on the outer disc and these are broken down further by four individual segments that represent 15min intervals within that hour. Push the desired segments out, away from the centre timer disc to confirm you would like the heater to be on at the corresponding time. Repeat this for each 15min interval the heater is required to operate.
5. To change the time to be off, push the segments in towards the centre timer disc at the required intervals.

4. Maintenance

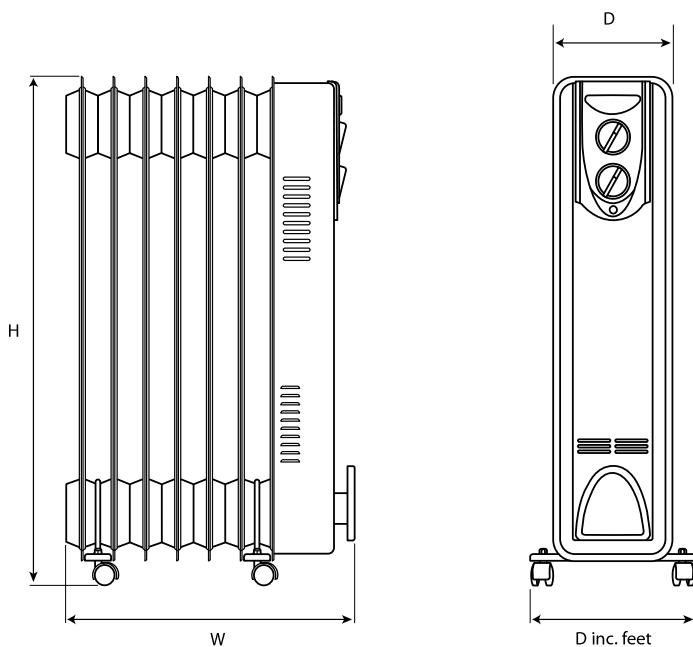
- Always isolate the appliance from the power supply before commencing any maintenance and ensure the unit has completely cooled.
- Never use abrasive chemicals or materials to clean the unit.
- Clean the exterior of the unit using a soft, dry cloth.

5. Specifications

	RAD15Y	RAD20TY
Voltage	230v~50Hz	
Power	1.5kW	2.0kW

	Height (mm)*	Width(mm)	Depth(mm)	Weight(kg)
RAD20TY	690	465	160	11.8
RAD15Y	690	385	160	9.8

*Depth excluding feet, depth including feet 240mm.



Model identifier(s): RAD15Y					
Item	Symbol	Value	Unit	Item	Unit
Heat output				Type of heat input, for electric storage local space heaters only (select one)	
Nominal heat output	Pnom	0,7612	kW	manual heat charge control, with integrated thermostat	No
Minimum heat output (indicative)	Pmin	0,4217	kW	manual heat charge control with room and/or outdoor temperature feedback	No
Maximum continuous heat output	Pmax, c	0,7612	kW	electronic heat charge control with room and/ or outdoor temperature feedback	No
Auxiliary electricity consumption				fan assisted heat output	No
At nominal heat output	elmax	NA	kW	Type of heat output/room temperature control (select one)	
At minimum heat output	elmin	NA	kW	single stage heat output and no room temperature control	No
In standby mode	elSB	NA	kW	Two or more manual stages, no room temperature control	No
				with mechanic thermostat room temperature control	Yes
				with electronic room temperature control	No
				electronic room temperature control plus day timer	No
				electronic room temperature control plus week timer	No
				Other control options (multiple selections possible)	
				room temperature control, with presence detection	No
				room temperature control, with open window detection	No
				with distance control option	No
				with adaptive start control	No
				with working time limitation	No
				with black bulb sensor	No
Contact details	Produced for Hyco Manufacturing Ltd. Normandy Court, Express Way, Castleford, WF10 5NR.				

Model identifier(s): RAD20TY					
Item	Symbol	Value	Unit	Item	Unit
Heat output			Type of heat input, for electric storage local space heaters only (select one)		
Nominal heat output	Pnom	0,9136	kW	manual heat charge control, with integrated thermostat	No
Minimum heat output (indicative)	Pmin	0,4610	kW	manual heat charge control with room and/or outdoor temperature feedback	No
Maximum continuous heat output	Pmax, c	0,9136	kW	electronic heat charge control with room and/ or outdoor temperature feedback	No
Auxiliary electricity consumption				fan assisted heat output	No
At nominal heat output	elmax	NA	kW	Type of heat output/room temperature control (select one)	
At minimum heat output	elmin	NA	kW	single stage heat output and no room temperature control	No
In standby mode	eISB	NA	kW	Two or more manual stages, no room temperature control	No
				with mechanic thermostat room temperature control	Yes
				with electronic room temperature control	No
				electronic room temperature control plus day timer	No
				electronic room temperature control plus week timer	No
				Other control options (multiple selections possible)	
				room temperature control, with presence detection	No
				room temperature control, with open window detection	No
				with distance control option	No
				with adaptive start control	No
				with working time limitation	No
				with black bulb sensor	No
Contact details	Produced for Hyco Manufacturing Ltd. Normandy Court, Express Way, Castleford, WF10 5NR.				

6. Guarantee and service policy

This product is guaranteed against faulty materials and manufacture for a period of one year from the date of purchase. Hyco will in its sole discretion replace, repair or refund any faulty unit. Incorrect installation and failure to follow correct operating instructions are excluded. Consequential costs such as labour charges or damage to surroundings are expressly excluded.



INFORMATION FOR CORRECT DISPOSAL OF THE PRODUCT IN ACCORDANCE WITH THE EUROPEAN DIRECTIVE 2012/19/EU.

At the end of its working life this equipment must not be disposed of as household waste. It must be taken to a local authority waste collection centre or to a dealer providing this service. Disposing of electrical and electronic equipment separately enables its components to be recovered and recycled to obtain significant savings in energy and resources. In order to underline the duty to dispose of this equipment separately, the product is marked with a crossed out dustbin.

Hyco Manufacturing Ltd
Normandy Court
Express Way
Castleford, WF10 5NR

T 01924 225 200
F 01924 225 210
E sales@hyco.co.uk

hyco.co.uk