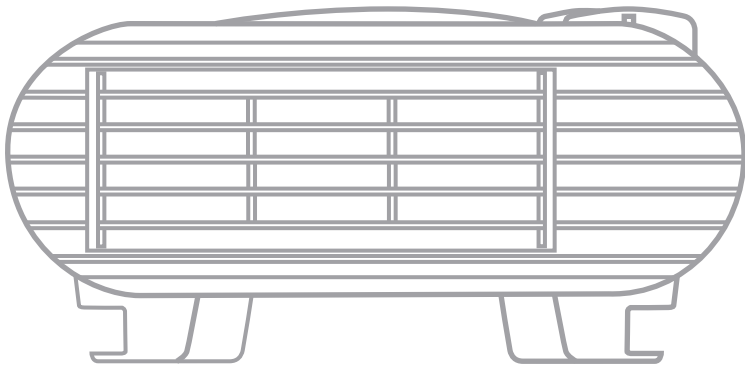




Product Instruction Manual

# Fiji



**FH-201Z**

2.0kW Fan heater

This product is only suitable for well insulated spaces or occasional use

Thank you for purchasing the Fiji fan heater. The FH-201Z comes with a thermostat and three heat settings. With its stylish letterbox design the Fiji is suitable for a wide range of portable heating applications in the home and office environment. Please read and understand these instructions before commencing installation, and leave them with the user when installation is complete.

## **1. Important safety points**

- Only connect the unit to a single phase supply with a mains voltage as specified on the rating plate.
- Do not carry the appliance by the supply cord.
- The supply cord cannot be replaced by the user. If the cord is damaged the appliance should be returned to the manufacturer or an authorised service agent for replacement.
- The appliance must not be located immediately below an electrical socket outlet.
- Always keep the outlet and inlet grills clean.
- Do not cover the inlet or outlet as it may cause overheating.
- Children of less than 3 years should be kept away unless continuously supervised.
- Children aged from 3 years and less than 8 years shall only switch on/off the appliance provided that it has been placed or installed in its intended normal operating position and they have been given supervision or instruction concerning use of the appliance in safe way and understand the hazards involved. Children aged from 3 years and less than 8 years shall not plug in, regulate and clean the appliance or perform user maintenance.
- Do not use this heater in the immediate surroundings of a bath, a shower or a swimming pool.
- Do not use this heater with a programmer, timer, separate remote control system or any other device that switches the heater on automatically, since a fire risk exists if the heater is covered or positioned incorrectly.

- Do not use the heater on deep pile carpets or rugs; ensure that there is no overhanging surface within 75cm of the outlet grille.
- Do not use in the vicinity of any combustible materials, curtains or other furnishings.

## 2. Installation



The appliance must not be located immediately below an electrical socket outlet.



Do not use this heater with a programmer, timer, separate remote control system or any other device that switches the heater on automatically, since a fire risk exists if the heater is covered or positioned incorrectly.

This heater is intended solely as a portable appliance; only operate using the power cord and 13 amp plug supplied.

If the plug needs changing, make the connections as:

- Brown / Red: L
- Blue / Black: N
- Green / Yellow: E

### 3. Operation



Fully uncoil the power cord before plugging the heater in

Choose from three heat settings:

- Fan only (cool)
- 1.0kW (half power)
- 2.0kW (full power)

Select the maximum heat setting from the thermostat dial. Once the desired room temperature is achieved adjust the dial down until a click is heard and the element light goes off. This will now maintain the current room temperature.

#### **Safety cut-out**

In the event of a safety cut-out operation, the heater will blow cold air until the temperature drops low enough for the thermal cut-out to close once again. The cause of the overheating should be established before continuing to use the heater.

## 4. Maintenance



Always isolate the appliance from the power supply before commencing any maintenance.

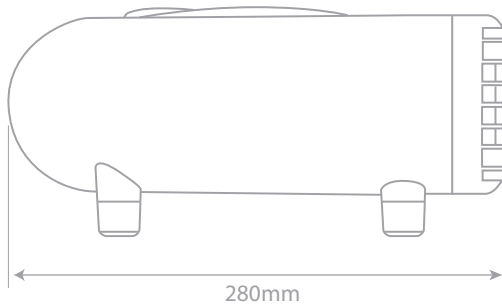
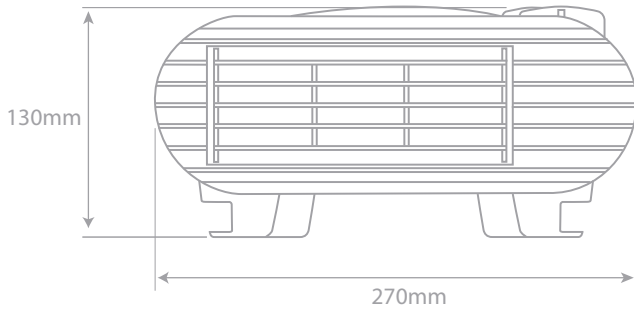


Never use abrasive chemicals or materials to clean the unit.

- Clean the exterior of the unit using a soft, dry cloth.

## 5. Specification

<b>Voltage</b>	230v~50Hz
<b>Power (max)</b>	2000W
<b>Weight</b>	1.4kg



Model identifier(s): FH-201Z					
Item	Symbol	Value	Unit	Item	Unit
Heat output				Type of heat input, for electric storage local space heaters (select one)	
Nominal heat output	Pnom	2	kW	manual heat charge control with integrated thermostat	No
Minimal heat output (indicative)	Pmin	0.9	kW	manual heat charge control with room and/or outdoor temperature feedback	No
Maximum continuous heat output	Pmax, c	2	kW	electronic heat charge control with room and/or outdoor temperature feedback	No
Auxiliary electricity consumption				fan assisted heat output	No
At nominal heat output	elmax	0.01	kW	Type of heat output/room temperature control (select one)	
At minimum heat output	elmin	0.01	kW	single stage heat output and no room temperature control	No
In standby mode	eISB	N/A	kW	two or more manual stages, no room temperature control	No
				with mechanic thermostat room temperature control	Yes
				with electronic thermostat room temperature control	No
				electronic room temperature control plus day timer	No
				electronic room temperature control plus week timer	No
				Other control options (multiple selections possible)	
				room temperature control, with presence detection	No
				room temperature control, with open window detection	No
				with distance control option	No
				with adaptive start control	No
				with working time limitation	No
				with black bulb sensor	No
Contact details: Hyco Manufacturing Ltd, Castleford WF10 5NR <a href="http://www.hyco.co.uk">www.hyco.co.uk</a>					

## 6. Guarantee and service policy

This product is guaranteed against faulty materials and manufacture for a period of one year from the date of purchase. Hyco will in its sole discretion replace, repair or refund any faulty unit. Incorrect installation and failure to follow correct operating instructions are excluded. Consequential costs such as labour charges or damage to surroundings are expressly excluded.



INFORMATION FOR CORRECT DISPOSAL OF THE PRODUCT IN ACCORDANCE WITH THE EUROPEAN DIRECTIVE 2012/19/EU.

At the end of its working life this equipment must not be disposed of as household waste. It must be taken to a local authority waste collection centre or to a dealer providing this service. Disposing of electrical and electronic equipment separately enables its components to be recovered and recycled to obtain significant savings in energy and resources. In order to underline the duty to dispose of this equipment separately, the product is marked with a crossed out dustbin.

Hycos Manufacturing Ltd  
Normandy Court  
Express Way  
Castleford, WF10 5NR

T 01924 225 200  
F 01924 225 210  
E [sales@hycos.co.uk](mailto:sales@hycos.co.uk)

[hycos.co.uk](http://hycos.co.uk)