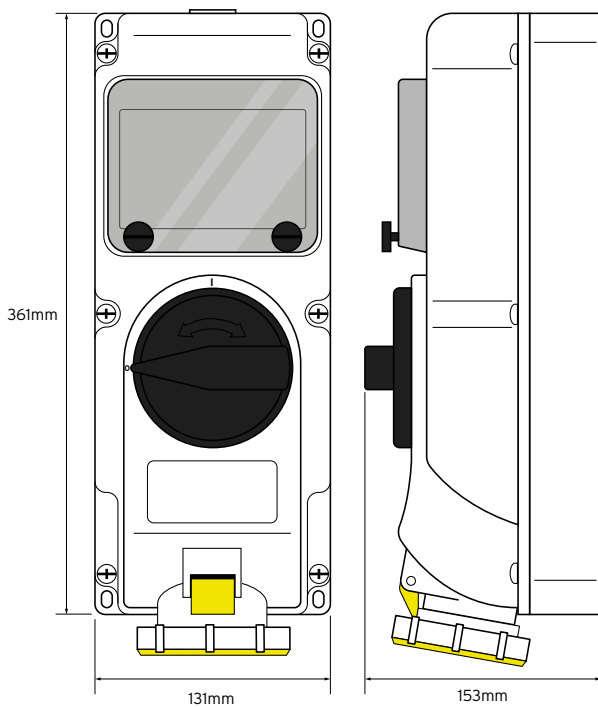




## 18751

### IP66 Wall Mounted Interlocking Switched Socket

#### Technical Drawing



#### Technical Specifications

Material Composition	PC/ABS Housing
Amps	16A
Volts	110V
Poles	3
Pin Configuration	2 p + E
Wire Flexible mm <sup>2</sup>	1.5-2.5
Wire solid mm <sup>2</sup>	1.5-4
IP Rating	IP66
Certified	ÖVE & CE
Standards	BS EN 60309-1&2
Dimensions	361 x 131 x 153 mm
Knockouts mm	3x25 M

