

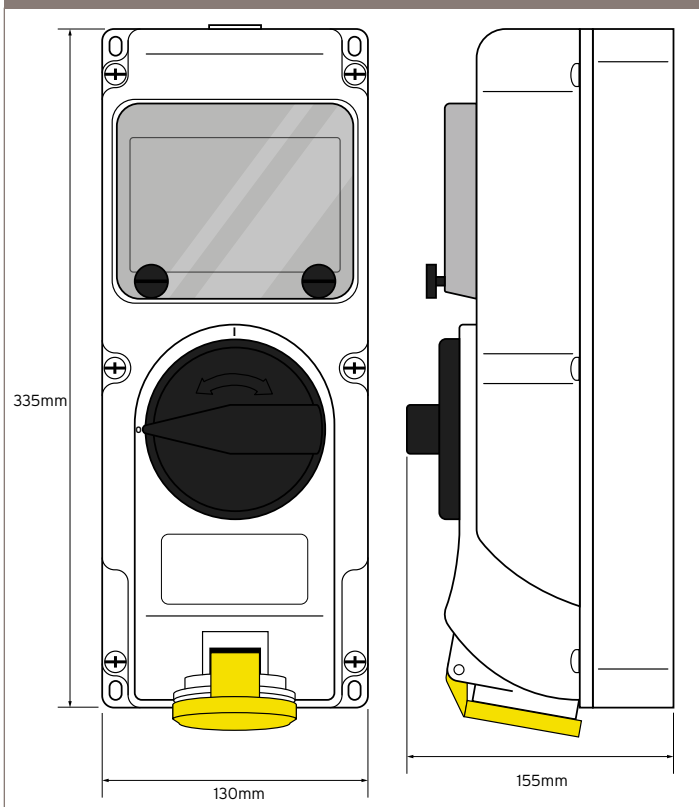
niGLON

Industrial Accessories



16751 IP44 Wall Mounted Interlocking Switched Socket

Technical Drawing



Technical Specifications

Material Composition	Polycarbonate Housing
Amps	16A
Volts	110 V (50+60 Hz) yellow
Pin Configuration	2 p + e
IP Rating	IP44
Certified	ÖVE & CE
Standards	BS EN 60309-1&2
Dimensions	335mm H x 130mm W x 155mm D

