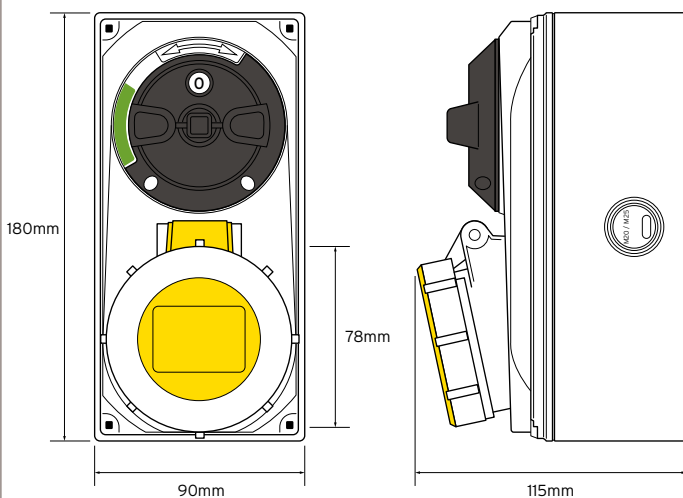


16151 IP66/67 Compact Wall Mounted Interlocking Switched Socket



Technical Drawing



Technical Specifications

Material Composition	Shock resistant thermoplastic enclosure
Amps	16A
Volts	110V
Pin Configuration	2P + E
IP Rating	IP66/67
Knockouts	Rear Entry: M20/M25 and M25/M32 Side Entry(Left & Right): M20/25 Top Entry: M25/M32 Bottom Entry : M20/M25
Certified	OVE & CE
Standards	BS EN 60309-1&2
Dimensions	180mm H x 90mm W x 115mm D

