

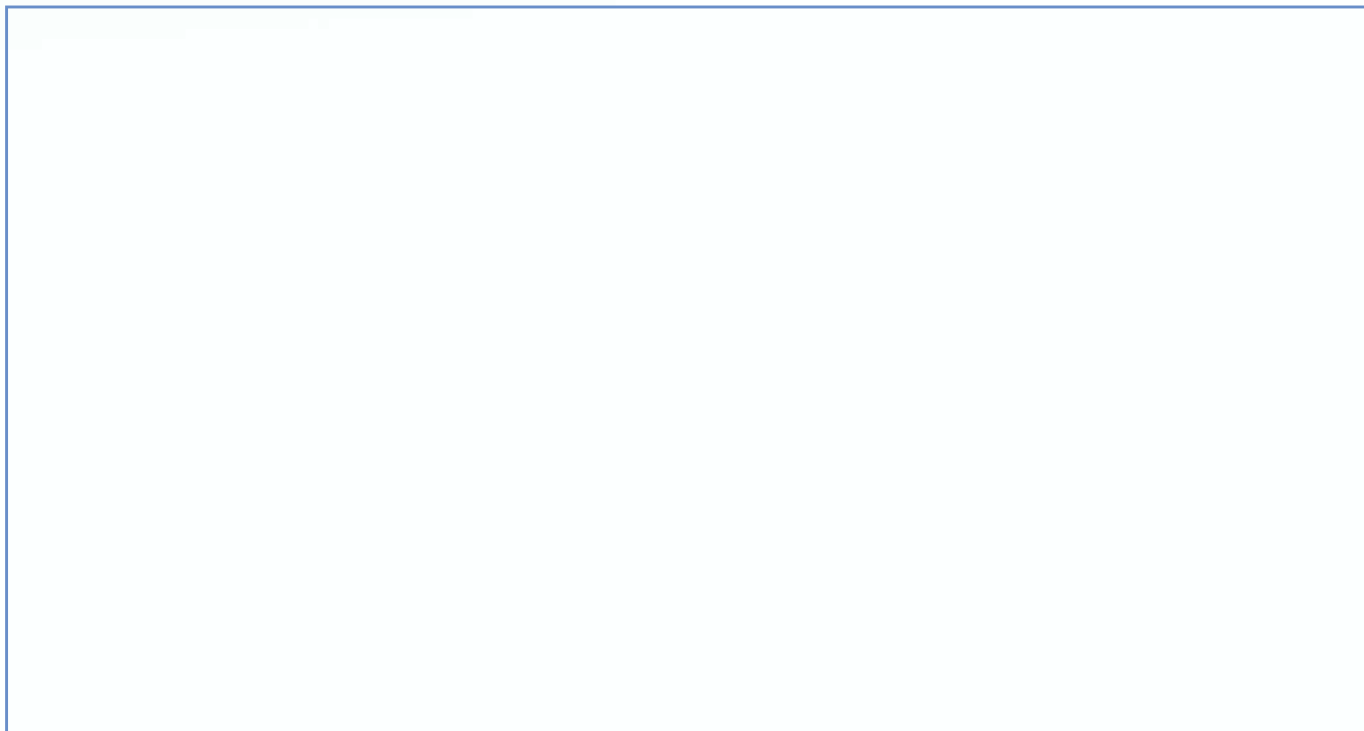
PRODUCT DESCRIPTION:

BM_E31

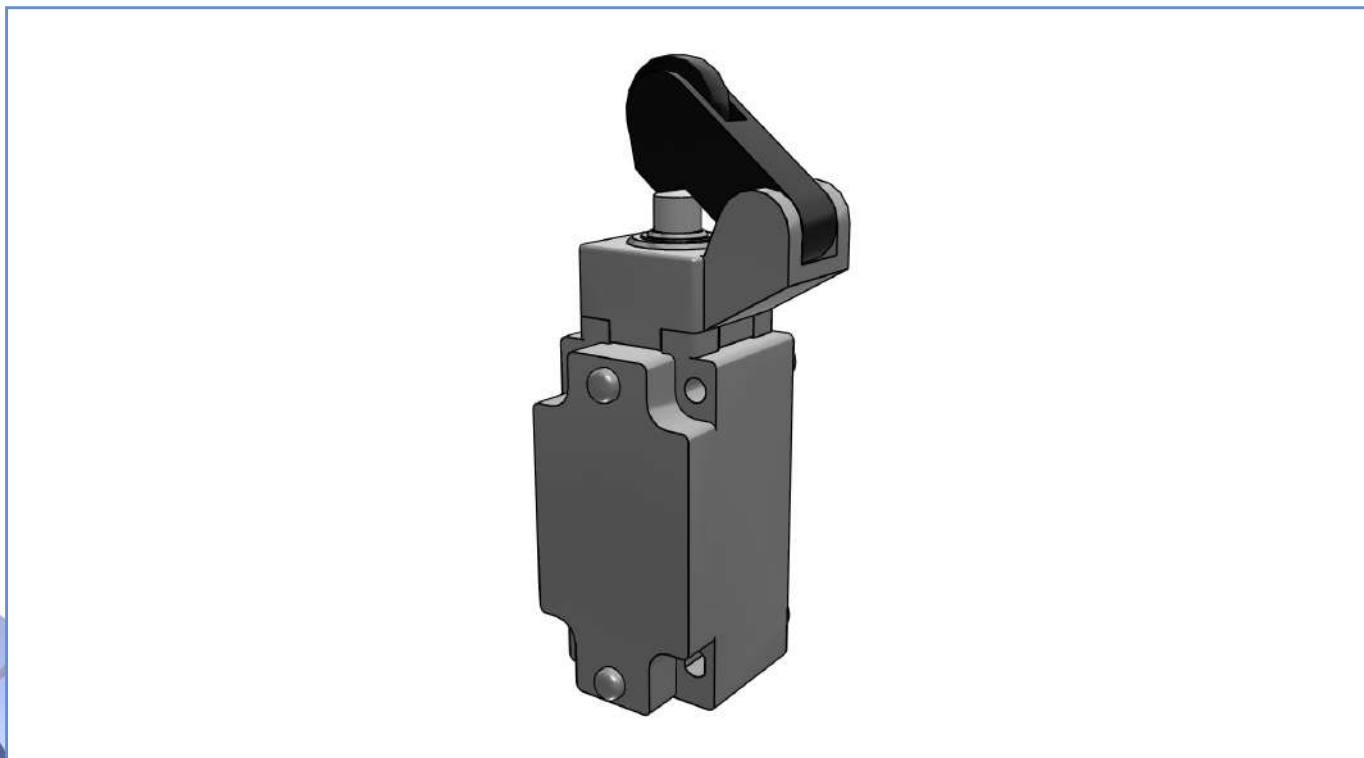
PRODUCT CODE:

BM5E31Z11

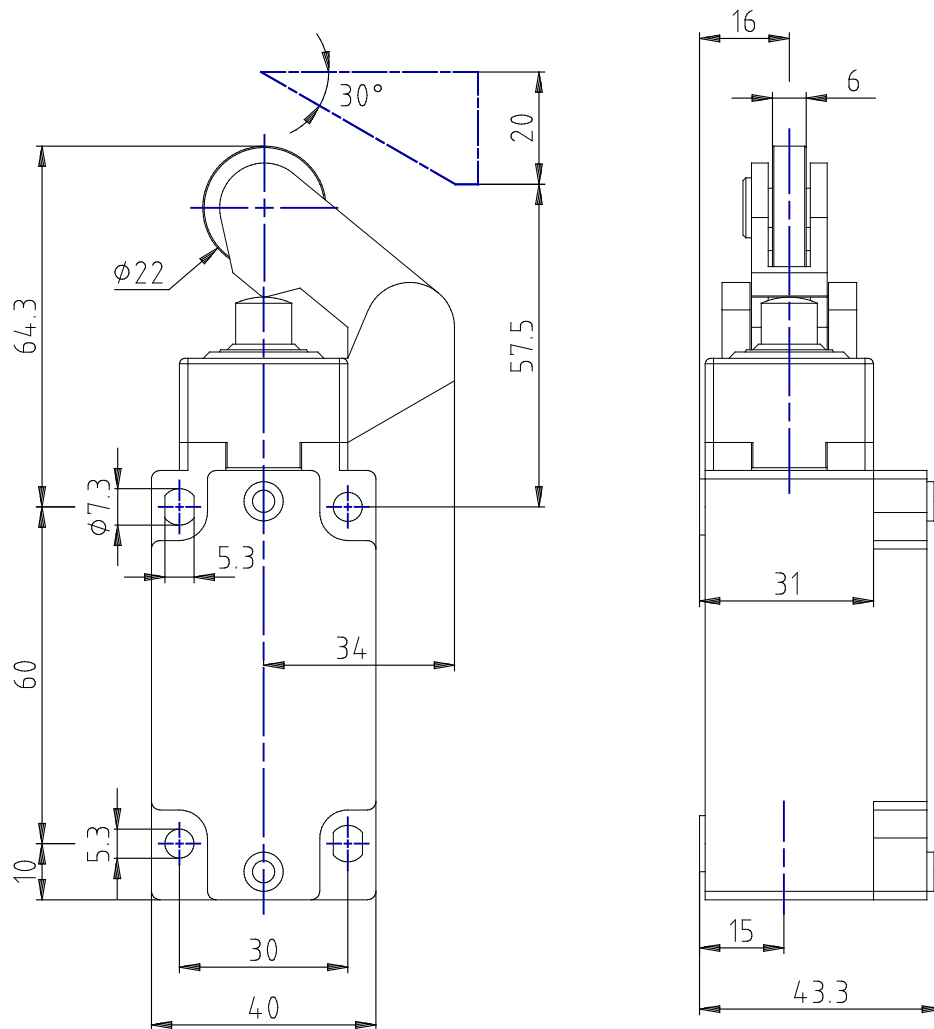
DYNAMIC 3D VIEW:



STATIC 3D VIEW:



TECHNICAL VIEW:



| | | | | | | | |
|------------|-------|-------|---|-----|-----|------|--------|
| Z11 | 13 | 21 | 0 | 3.1 | 6.3 | 10.8 | 16.5mm |
| | 14 | 22 | | | | | ⊕ |
| | 13-14 | 21-22 | | | | | ⊖ |
| | 21-22 | 13-14 | | | | | ⊖ |



DETAILS:

| | |
|---|--|
| Part Number | BM5E31Z11 |
| Casing Material | Painted aluminium |
| Width [mm] | 40 |
| Electrical connections | One cable inlet for M20x1.5 cable gland |
| IP Degree of Protection | IP66 |
| Actuating Head | Nylon roller lever |
| Head Material | Painted aluminium |
| Microswitch | Snap action contacts (1NO + 1NC) |
| Approvals | IMQ - cULus - CCC - CSA - EAC |
| Reference Directives | LVD - 2014/35/EU |
| Reference Standards | IEC 60947-5-1 / EN 60947-5-1 |
| Operating Temperatures [°C] | -25°C ... +70°C |
| Stock Temperatures [°C] | -30°C ... +80°C |
| Protection against electric shocks (according to IEC 60536) [Class] | Class I |
| Rated Insulating Voltage Ui [V] | 500 |
| Pollution Degree | 3 |
| Contact rating according to UL50 | A600 - Q600 |
| Rated Impulsive Voltage Uimp [kV] | 6 |
| Conventional thermal current in air free Ith (θ min 40 ° C) [A] | 10 |
| Short circuit protection (EU min 500Vac - fuses type gG (gl)) [A] | 10 |
| Operating currents Ie - AC-15 (50-60 Hz) according to IEC 60947-5-1 | 24V - 10A / 120V - 6A / 400V - 4A |
| DC-13 operating currents according to IEC 60947-5-1 | 24V - 6A / 125V - 0.55A / 250V - 0.4A |
| Switching Frequency [cycles/hour] | 3600 |
| Resistance Between Contacts [mΩ] | 25 |
| Connecting Terminals | M3.5 screw with cable clamp (+,-) pozidriv 2 |
| Connecting Cables Dimensions [mm ²] | 0.75 ... 2.5 |
| Protective Conductor Terminal | M3.5 screw with cable clamp (+,-) pozidriv 2 |
| Marking Terminals | According to IEC 60947-5-1 |
| Mechanical Durability [Millions of Operations] | 30 |
| B10d [Millions of Operations] | 60 |

PRODUCT DRAWING RELEASE:

Datasheet creation date: 27/09/2022 16:39

Last Modification (geometry): 25/02/2019 14:37