

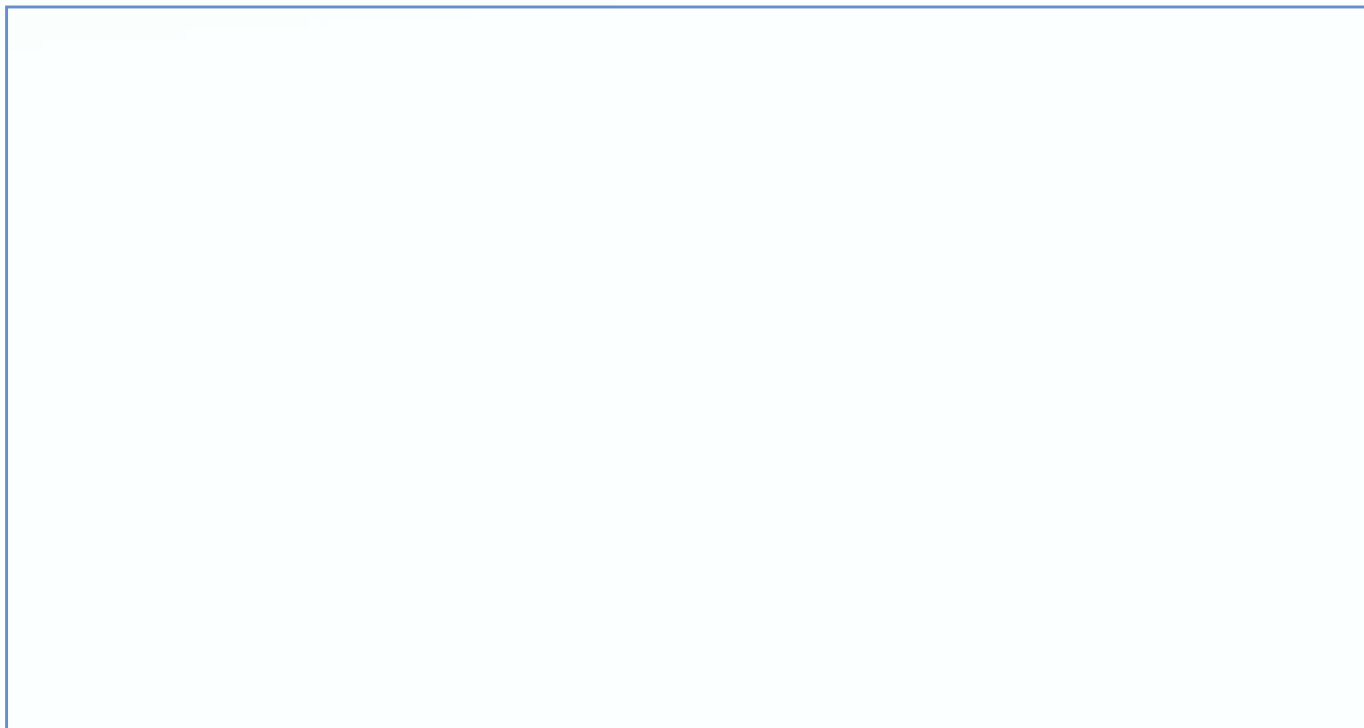
PRODUCT DESCRIPTION:

BM_E22

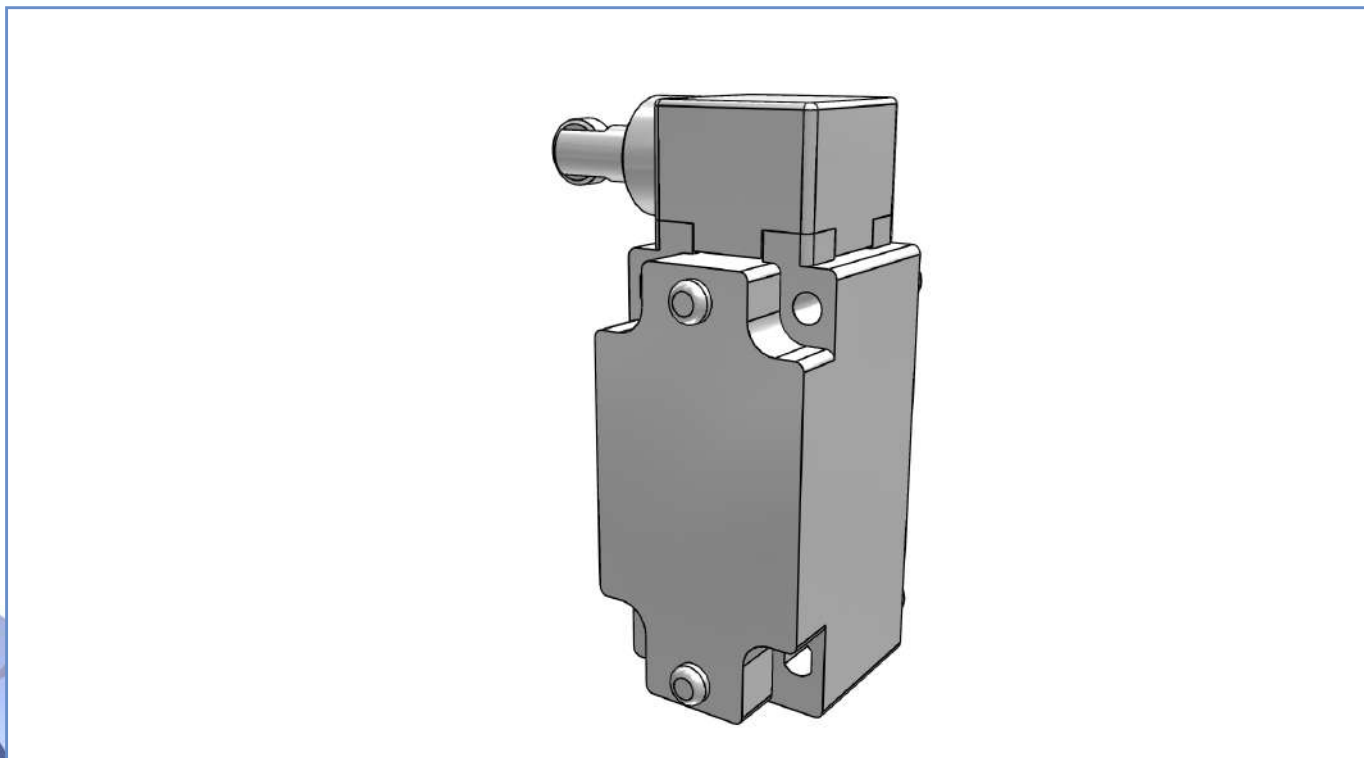
PRODUCT CODE:

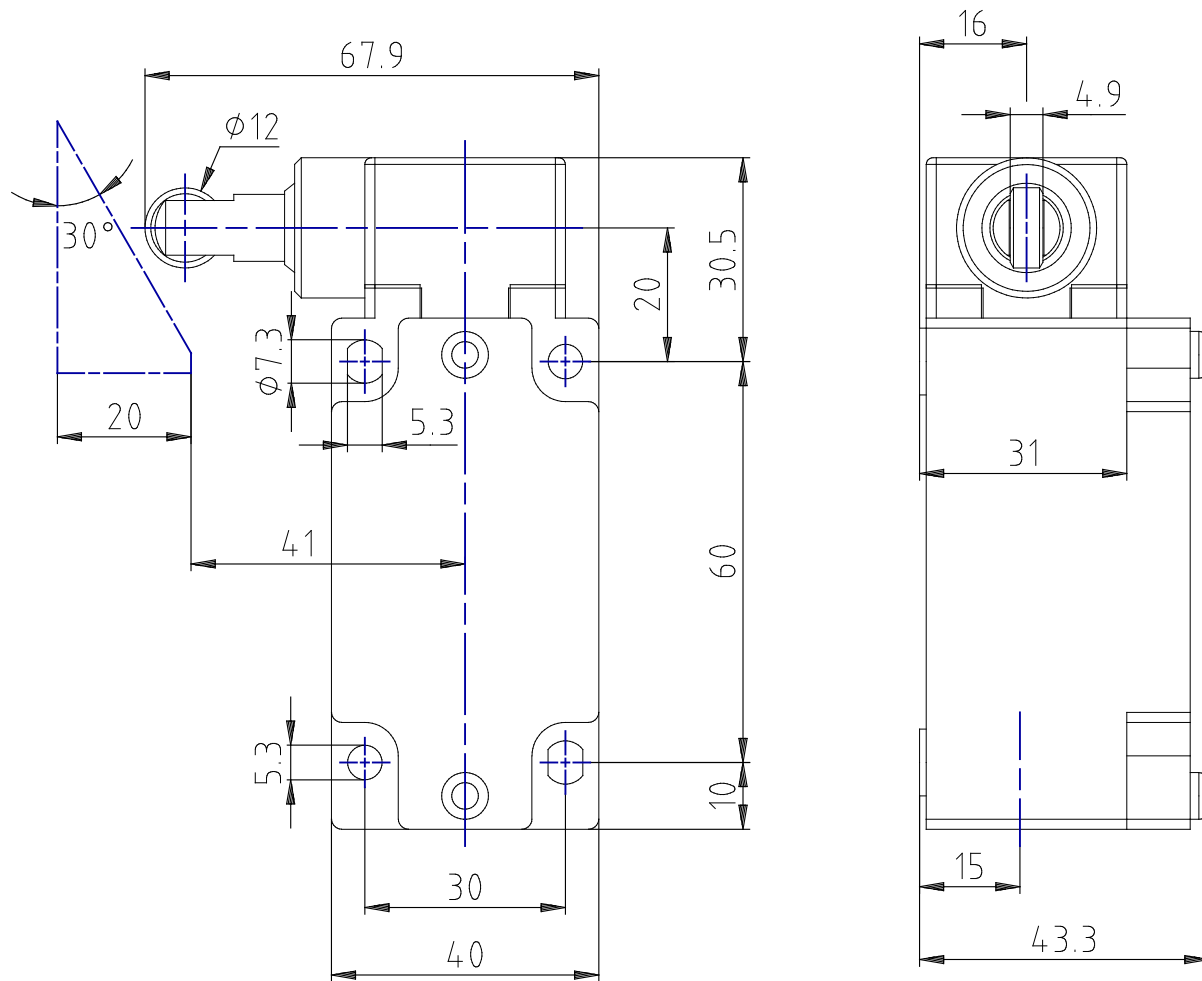
BM5E22Z11

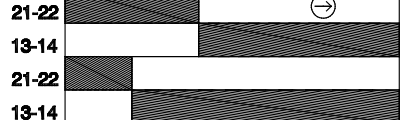


DYNAMIC 3D VIEW:



STATIC 3D VIEW:



TECHNICAL VIEW:


Z11	13	21	0	3.7	5.9	8.8	10.2mm
							
							
							

DETAILS:

Name	bm5e22z11
	BM_E22
	BM5E22Z11
	BM5E22Z11
Part Number	BM5E22Z11
	STP_BM_E22
	IMG_BM_E22
	BM_E22_Z11
Casing Material	Painted aluminium
Width [mm]	40
Electrical connections	One cable inlet for M20x1.5 cable gland
IP Degree of Protection	IP66
Actuating Head	Vertical lateral stainless steel roller plunger
Head Material	Painted aluminium
Microswitch	Snap action contacts (1NO + 1NC)
Approvals	IMQ - cULus - CCC - CSA - EAC
Reference Directives	LVD - 2014/35/EU
Reference Standards	IEC 60947-5-1 / EN 60947-5-1
Operating Temperatures [°C]	-25°C ... +70°C
Stock Temperatures [°C]	-30°C ... +80°C
Protection Against Electrical Shocks [Classe (secondo IEC 60536)]	Class I
Rated Insulating Voltage Ui [V]	500
Pollution Degree	3
Contact rating according to UL50	A600 - Q600
Rated Impulsive Voltage Uimp [kV]	6
Free Air Conventional Thermal Current Ith [A (θ)]	10
Protection Against Short Circuit [A (Ue)]	10
Rated Operational Current Ie - AC-15 (50-60 Hz) [Secondo IEC 60947-5-1]	24V - 10A / 120V - 6A / 400V - 4A
Rated Operational Current DC-13 [Secondo IEC 60947-5-1]	24V - 6A / 125V - 0.55A / 250V - 0.4A
Switching Frequency [Cicli/ora]	3600
Resistance Between Contacts [mΩ]	25

PRODUCT DRAWING RELEASE:

Datasheet creation date: 27/09/2022 16:26

Last Modification (geometry): 01/10/2021 12:26



tel. +39 039 9906408
+39 039 9903468
fax +39 039 9906203



Via Novarino 9/L
23899 Robbiate (LC)
ITALY



www.comepi.it
comepi@comepi.it
tecnico@comepi.it

DETAILS:

Connecting Terminals	M3.5 screw with cable clamp (+,-) pozidriv 2
Connecting Cables Dimensions [mm²]	0.75 ... 2.5
Protective Conductor Terminal	M3.5 screw with cable clamp (+,-) pozidriv 2
Marking Terminals	According to IEC 60947-5-1
Mechanical Durability [Milioni di manovre]	30
B10d [Milioni di manovre]	60

PRODUCT DRAWING RELEASE:

Datasheet creation date: 27/09/2022 16:26

Last Modification (geometry): 01/10/2021 12:26

tel. +39 039 9906408
+39 039 9903468
fax +39 039 9906203Via Novarino 9/L
23899 Robbiate (LC)
ITALYwww.comepi.it
comepi@comepi.it
tecnico@comepi.it